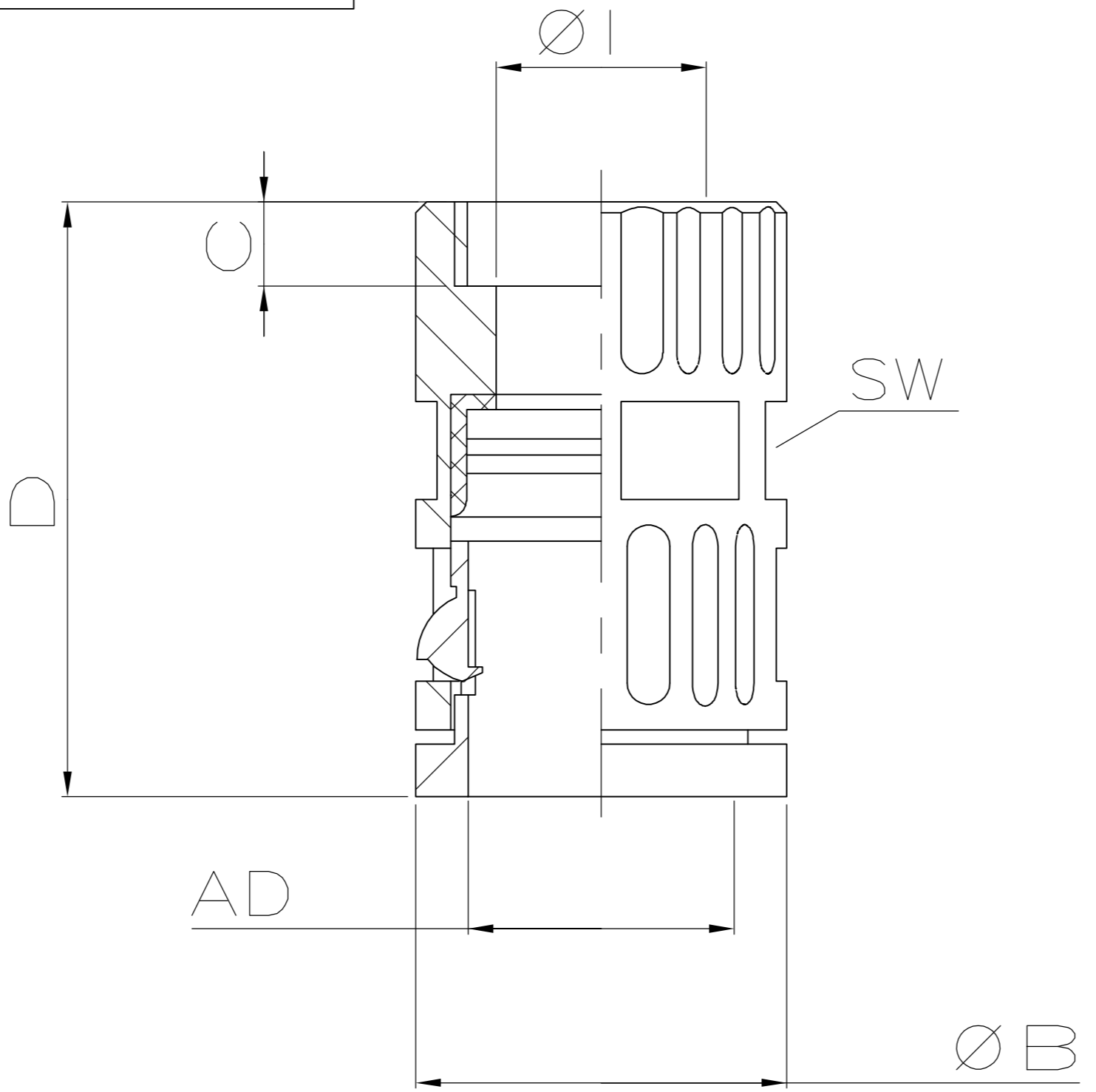


THIS DRAWING IS UNPUBLISHED. RELEASED FOR PUBLICATION
 © COPYRIGHT BY TYCO ELECTRONICS CORPORATION. ALL RIGHTS RESERVED.

LOC	DIST	REVISIONS					
FT	0	P	LTR	DESCRIPTION	DATE	DWN	APVD
		E		REVISED PER ECO-05-14169	11/18/05	SS	SH



- 1 Material: PA
- 2 Color: black
- 3 Unscaled
- 4 DIN 16901-140

Supplier:
 FLEXA GmbH & Co. KG
 Darmstaedter Strasse 184
 D-63456 Hanau-Steinheim
 Phone: +49 61 81 677-0
 FAX: +49 61 81 677 277

1.10	50	21	45.5	30	12.5	9.5	1"-20	3/8"	2-969807-3
2.00	50	18	45.5	30	10	9.5	1 5/8"-18	3/8"	969807-8
1.15	50	18	45.5	30	10	9.5	1 1/16"-18	3/8"	969807-7
0.85	50	18	38.5	23	10	9.5	7/8"-20	3/8"	969807-6
0.76	50	18	38.5	23	10	9.5	13/16"-20	3/8"	969807-5
0.58	50	18	38.5	23	10	9.5	11/16"-24	3/8"	969807-3
0.95	50	21	45.5	30	12.5	9.5	15/16"-20	3/8"	969807-4
0.66	50	18	38.5	23	10	9.5	3/4"-20	3/8"	2-969807-2
0.55	50	18	36.6	20.6	10	8	5/8"-24	3/8"	1-969807-2
0.5	50	18	36.6	20	10	8	1/2"-28	3/8"	0-969807-2
kg/100p	Pieces Stueck	SW	D	BØ	IØ	C		AD	
		mm	mm	mm	mm	mm	UNEF	mm	
Gewicht	einheit Packungs-	weite Schluessel-	laenge Gesamt-	Ø Aussen groesster	Ø Innen kleinster	laenge Gewinde-	Gewinde	groesse Nenn-	AMP #
Weight approx.	Unit Packaging	Width Hex	Length Total	Ø Outer Largest	Ø Inner Smallest	Thread Length of	Thread	Size Trade	

THIS DRAWING IS A CONTROLLED DOCUMENT.

DWN	19AUG97	 Tyco Electronics Corporation Harrisburg, PA 17105-3608			
CHK	19AUG97				
APVD	19AUG97				
PRODUCT SPEC					
NAME	G FELDMEIER				
APPLICATION SPEC	-				
WEIGHT	-	SIZE	CAGE CODE	DRAWING NO	RESTRICTED TO
CUSTOMER DRAWING		A2	00779	C=969807	-
SCALE		NTS	SHEET	1 of 1	REV
					E